

Masonry Control Joint Profiles

(Diagrams are not drawn to scale. All dimensions are nominal.)

Westlake Dimex control joint products are designed to be used with standard sash blocks and other masonry wall materials. We provide a vertical control joint gasket that allows for expansion and contraction of masonry walls while reducing the possibility of air and water penetration.

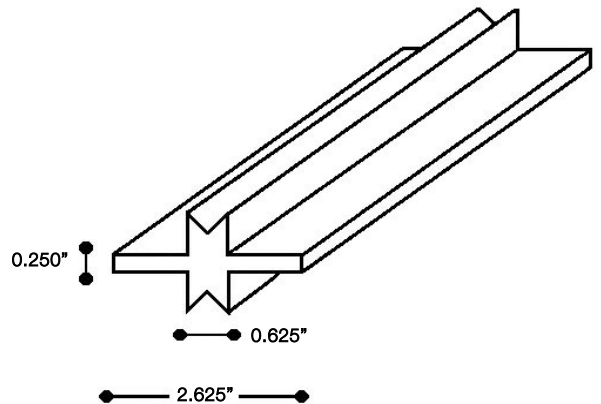
PVC Control Joints – Available in 32” and 48” / Black or Gray

Manufactured from a PVC compound grade conforming to ASTM D-2287-654 with a durometer hardness of 85 ± 5 shore A when tested in conformance with ASTM D-2240

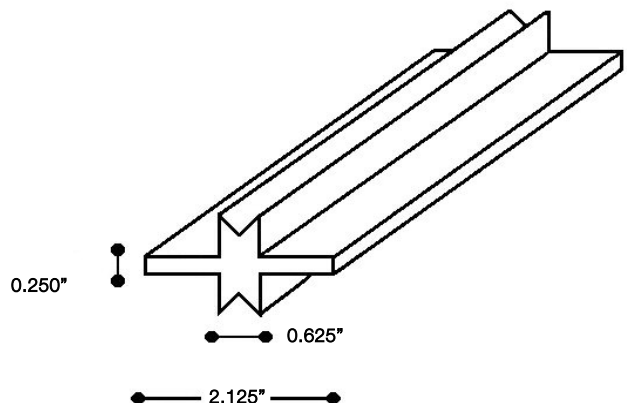
Rubber Control Joints – Available in 32” and 48”

Manufactured from a high grade of synthetic rubber compound conforming to ASTM D-2000 2AA805 with a durometer hardness of 80 ± 5 shore A when tested in conformance with ASTM-2240.

| Item # | Flange Profile | Material | Length | Width |
|--------|----------------|-----------|--------|--------|
| 2010 | Standard | Rubber | 48” | 2.625” |
| 2011 | Standard | Black PVC | 48” | 2.625” |



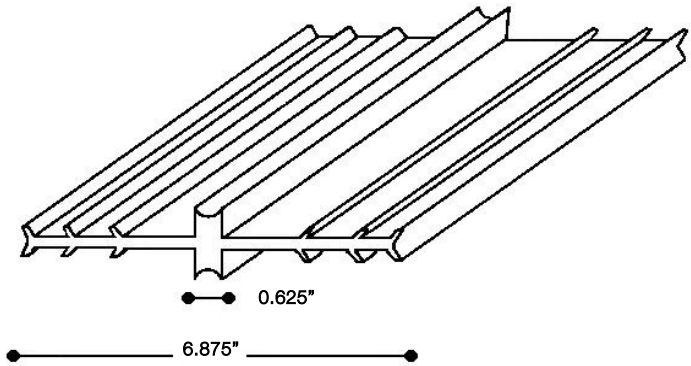
| Item # | Flange Profile | Material | Length | Width |
|--------|----------------|----------|--------|--------|
| 2015 | Standard | Rubber | 32” | 2.125” |
| 2017 | Standard | Gray PVC | 32” | 2.125” |



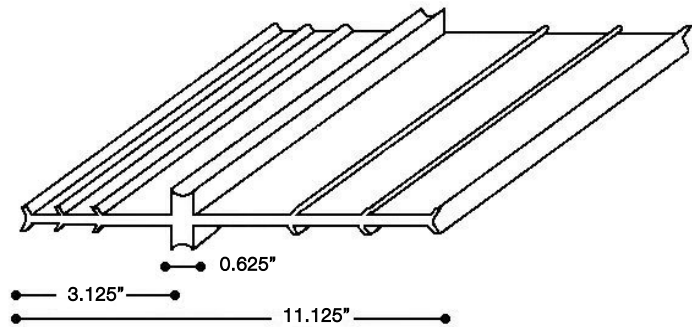
Masonry Control Joint Profiles

(Diagrams are not drawn to scale. All dimensions are nominal.)

| Item # | Flange Profile | Material | Length | Width |
|--------|----------------|-----------|--------|--------|
| 2012 | Wide | Black PVC | 48" | 6.875" |
| 2018 | Wide | Gray PVC | 32" | 6.875" |
| 2112 | Wide | Rubber | 48" | 6.875" |
| 2118 | Wide | Rubber | 32" | 6.875" |



| Item # | Flange Profile | Material | Length | Width |
|--------|----------------|-----------|--------|---------|
| 2013 | Wide | Black PVC | 48" | 11.125" |
| 2019 | Wide | Gray PVC | 32" | 11.125" |
| 2113 | Wide | Rubber | 48" | 11.125" |
| 2119 | Wide | Rubber | 32" | 11.125" |



| Item # | Flange Profile | Material | Length | Width |
|--------|----------------|-----------|--------|--------|
| 2014 | Tee | Black PVC | 48" | 2.625" |
| 2016 | Tee | Gray PVC | 32" | 2.625" |
| 2114 | Tee | Rubber | 32" | 2.625" |
| 2116 | Tee | PVC | 32" | 2.625" |

